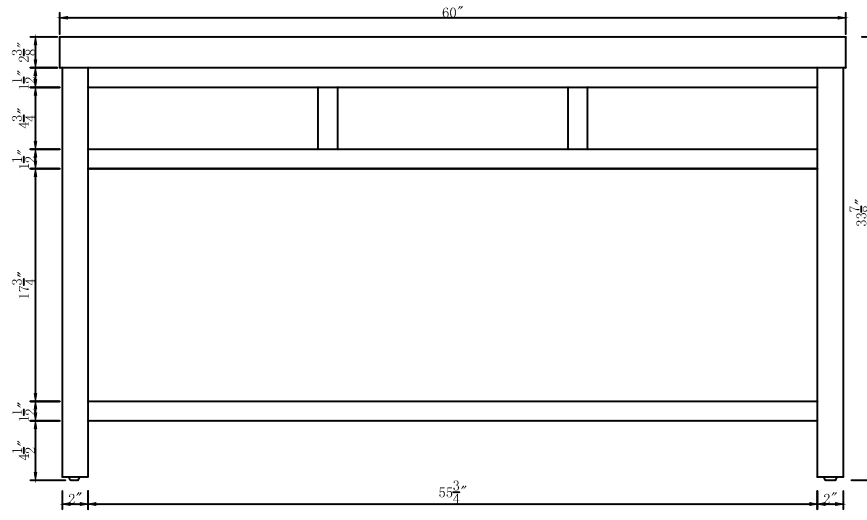
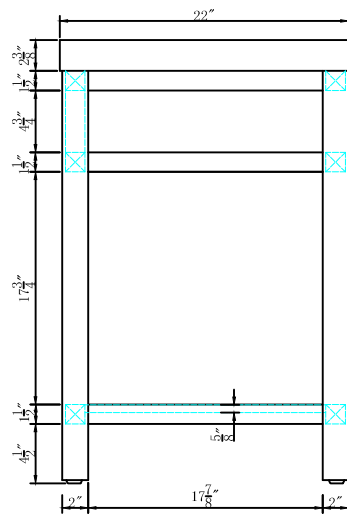


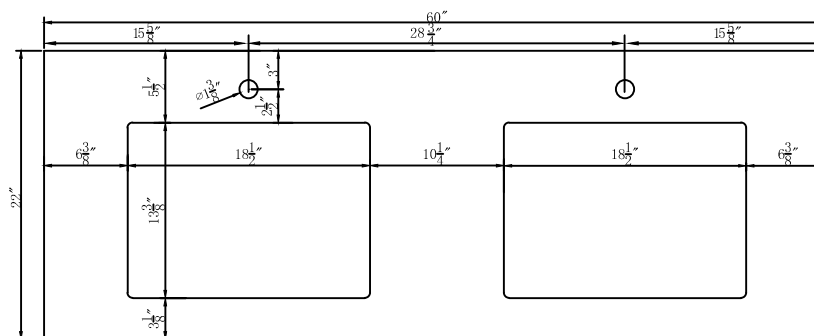
Front view



Back view



Side view



Top view

DWG. NO.:

MODEL NO.:

VF14060DBK

ALTERATIONS

- 1
- 2
- 3
- 4

FOR PROPOSAL ONLY ALL DIMENSIONS TO BE VERIFIED

SCALE:

DWG. BY:

CHECKED BY:

DATE:

PROJECT:

Qty:

Color:

DRAWING TITLE:

FINISH:

Elegant



Decor

ELEGANT LIGHTING

Model #	VF14060DBK	Finish	Black	Mirror type	N/A	Beveled glass	N/A	Frame material	Metal
Solid wood construction	N/A	Drawers Included	NO	Number of Drawers	0	Joinery Type	N/A	Drawer railing	N/A
Drawer Width (in)	NO	Drawer Depth (in)	NO	Drawer Height (in)	NO	Shelves	NO	Number of Shelves	0
Doors included	NO	Number of Doors	0	Finished Back	NO	Hardware finish	N/A	Assembly	NO
Countertop included	Yes	Countertop material	Resin	Number of Sinks accommodated	2	Sink material	Resin	Sink Width	18.5"
Sink Depth	13.37"	Sink height	8-1/4"	Sink hole size	1-3/4"	Mounting type	Free Standing	Backsplash	No
Backsplash Width	N/A	Backsplash Depth	N/A	Backsplash Height	N/A	Drain assembly included	NO	Faucet included	NO
Faucet type	NO	Faucet hole size	1.38	Faucet hole spacing	1Hole	Product Width	60	Product Depth	22
Product Height	34	Package LENGTH (inches)	67.12	Package WIDTH (inches)	26.18"	Package Height (inches)	38"	Package Weight (lbs)	134.48
Product Weight	114.6	Shipment Type	small parcel	Table/Desk: top width	22"	Table/Desk top finish	Resin	glass top tempered	N/A
table top maximum weight	50 lbs	Table: seating capacity	2	upholstery color	N/A	upholstery pattern	N/A	cushion material	N/A
base finish	Black	powder coated finish	NO	base material	Metal	top material	Resin basin	wood species	N/A
tip over restraint strap	NO	shape of top	Rectangle	lift top	NO	shelf material	N/A	adjustable shelves	NO
Handle designs	N/A	safety stop	NO	felt lined drawers	NO	drawer glide extension	N/A	drawer glide material	N/A
drawer dividers	N/A	Drawer Interior finish	N/A	Ball Bearing Glides	N/A	soft close drawer glides	N/A	Number of cabinets	1
shelf width (in)	N/A	shelf depth (in)	N/A	shelf height (in)	N/A	Shelf thickness	N/A	Any certification? (CARB/TSCA VI)	NO
California Proposition 65 warning required	NO	Drawer Interior Width (in)	N/A	Drawer Interior Depth (in)	N/A	Drawers Interior Height (in)	N/A	cabinet interior width	N/A
cabinet interior depth	N/A	cabinet interior height	N/A	leg width	2"	leg depth	2"	leg height	31-1/2"
gloss finish	NO	stackable	NO	leg desig	Straight legs	Armoires: ring slots	NO	Armoires: hooks	NO
armoires: mirror dimensions	NO	door thickness	N/A	false drawers?	NO	Vanity countertop edge style	FLAT	# of faucet holes	1

DWG. NO.

MODEL NO:
VF14060DBK

SPEC NO:

QUANTITY:

DATE:

CHECKED BY:

FOR PROPOSAL ONLY ALL DIMENSIONS TO BE VERIFIED

PROJECT:

COLOR:

FINISH:

REVISIONS

①

②

③

④

⑤

⑥

 **ELEGANT**
FURNITURE & LIGHTING™

500-550 E. Erie Avenue
Philadelphia PA 19134
1-888-388-3390